

ENG-1 LO No. 1 SJ25H

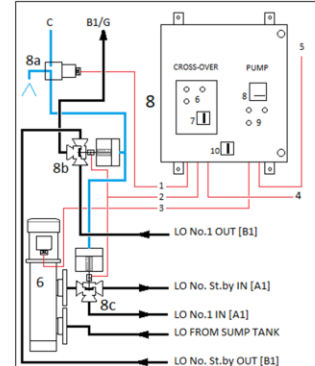
ENG-2 LO No. 2 SJ25H

ENG-1&2 LO st-by SJ25H

1.1 SYMBOL

	BALL VALVE		WATER LINE
	GLOBE VALVE		AIR LINE
	FLOW CONTROL VALVE (GLOBE TYPE)		SENSOR
	TEMP CONTROLLER		ELECTRIC WIRING
	FLOW SWITCH		OIL LINE
	STRAINER		BUTTERFLY VALVE
	COMPOUND GAUGE		PRESSURE GAUGE
	CHECK VALVE		INSULATED
	DRAIN HOPPER		

1.5 CROSS-OVER IN CASE OF LO No. 1



- 1 POWER [24V] TO 3-WAY SOL VALVE 8a
- 2 TO POSITION SWITCH OF CYLINDER VALVE 8b/8c
- 3 POWER TO FEED PUMP
- 4 MAIN POWER
- 5 PUMP RUN SIGNAL TO LO No. ST-BY
- 6 SIGNAL LAMP [ST-BY][LO-1][VALVE 8b/8c FAILURE]
- 7 SELECTOR SWITCH [LO No.1][LO No. ST-BY] #POSITION[LO No.1]: LO No. ST-BY CANNOT START #POSITION[LO No. ST-BY]: LO No.1 CANNOT START
- 8 AMP METER FEED PUMP
- 9 PUSH BUTTON/LAMP[START][STOP][FAILURE]
- 10 MAIN SWITCH

1.2 EQUIPMENT

No	Name	Maker	Q'ty	Remarks
1	OIL PURIFIER	MKK	3	3 ON 1 UNIT
1a	CONTROL PANEL	MKK	3	HBC-1TR
1b	MOTOR	ABB	3	5.5kW
2	OPERATING WATER UNIT	MKK	3	24V, BUILD-ON PURIFIER
3	FEED VALVE	MKK	3	3WAY CYLINDER VALVE
4	3WAY SOL VALVE	MKK	3	24V
5	MULTI MONITOR	MKK	3	BUILD-ON PURIFIER
6	FEED PUMP SCREW TYPE	AV-PRO	2	LOOSE
7	OIL HEATER ELECTRIC	AV-PRO	3	BUILD-ON PURIFIER
8	CROSS-OVER SYSTEM	AV-PRO	2	
8a	3WAY SOL VALVE	AV-PRO	2	24V
8b	3WAY CYLINDER VALVE	AV-PRO	2	
8c	3WAY CYLINDER VALVE	AV-PRO	2	
9	GROUP STARTER [1]	AV-PRO	2	2x-MOTOR 1XHEATER
9a	GROUP STARTER [2]	AV-PRO	1	EQL AS 9 + PUMP RUNNING
10	JUNCTION BOX	AV-PRO	1	

1.3 CONNECTIONS

Letter	Description	Destination
A	DIRTY OIL INLET	LO FROM SUMP TANK
B	PURIFIED OIL OUTLET	LO TO SUMP TANK
C	COMPRESSED AIR INLET	0.5~0.7 MPa
D	SLUDGE&WATER OUTLET	TO SLUDGE TANK
E	WATER INLET	0.35~0.50 MPa
F	OPERATING WTR DRAIN	TO SLUDGE TANK
G	CIRCULATION	LO TO SUMP TANK
P	POWER SUPPLY	FROM SHIP

1.4 PROJECT DETAILS

PROJECT/No.	LO CROSS-OVER
SYSTEM	3x LO Mitsubishi Separator for DR/ENG No. 1&2
DRAWING/No.	MKK EUROPE BV, 29/10/2018