

NEW PRODUCT

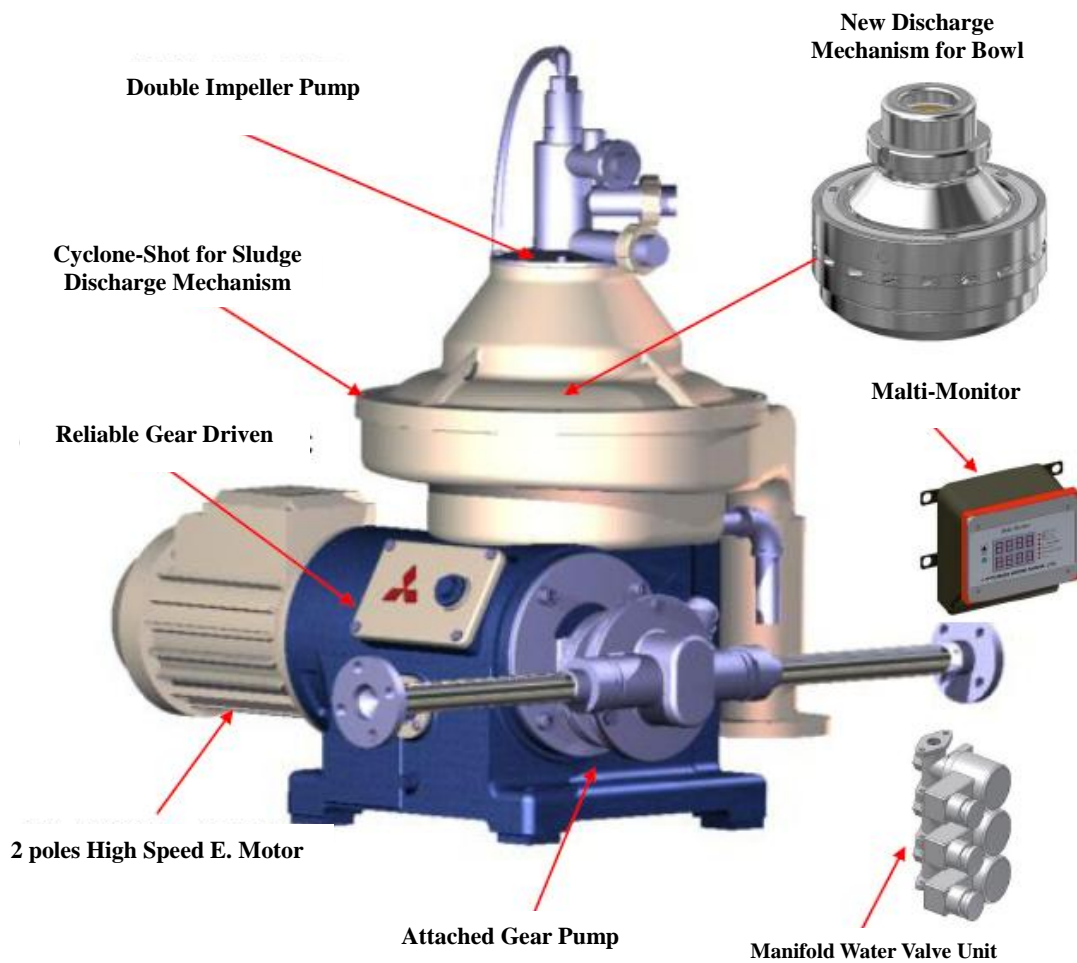
MITSUBISHI SELFJECTOR SJ 08

**New Small Type Purifier for Fuel & Lub. Oil
for Small ships**

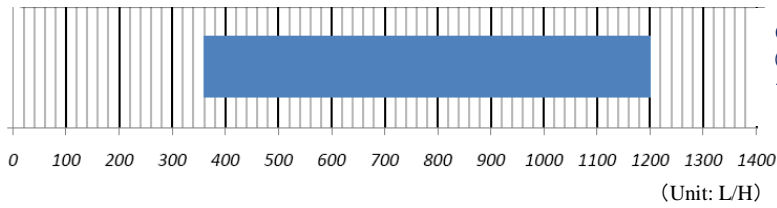
• Features

- Compact design realizes “Saving Energy & Space”.
- Higher rotating speed of bowl achieves higher separation performance.
- Built-in Impeller Pump
- Purification up to density of 0.991kg/m^3 at 15°C

• Structure

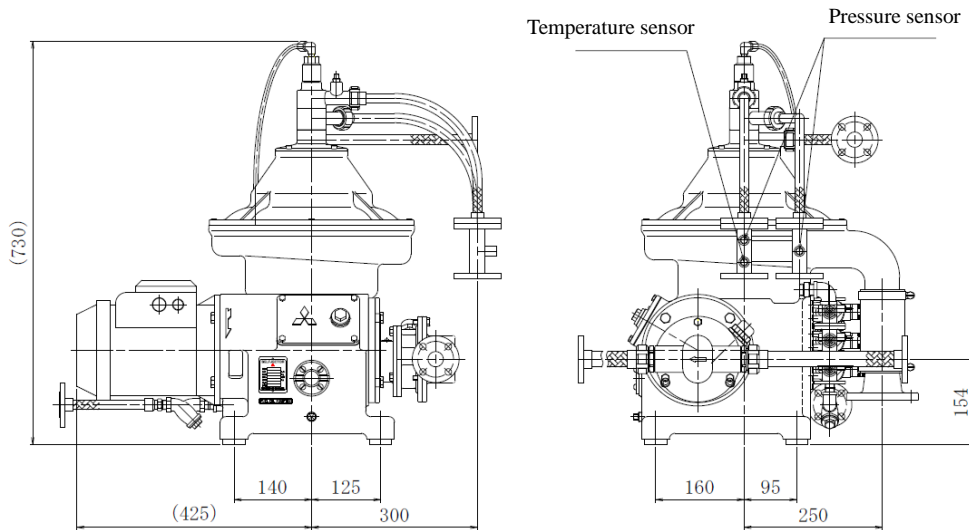


Capacity Range



Capacity range shows standard for MGO/ MDO, HFO (MG700) & Lubricant oil
 <Note> Capacity will be changed due to separation conditions.

Dimensions



E. Motor (kw)	3.0 kw
Main Body Weight (kg)	120 kg
Pump Capacity	960L/H (60Hz) 800L/H (50Hz)

Flow Sheet

